

Technical data sheet



Product features

Tilting bratt pan manual gas 50 l stainless steel bottom

Model	SAP Code	00110049
--------------	-----------------	----------



- Bottom material: Stainless steel - suitable for cooking, easy maintenance
- Bottom thickness: 12.00
- Usable volume [l]: 50
- Ignition: Piezo
- Tilting: Manual
- Filling: Mechanical cock
- Type of pan: Tilting
- Basin shape: Practically shaped bathtub spout to minimize spillage
- Protection of controls: IPX4

SAP Code	00110049	Power gas [kW]	12.000
Net Width [mm]	800	Type of gas	Natural gas, propane butane
Net Depth [mm]	700	Bottom material	Stainless steel - suitable for cooking, easy maintenance
Net Height [mm]	900	Usable volume [l]	50
Net Weight [kg]	139.10	Tilting	Manual

Technical data sheet



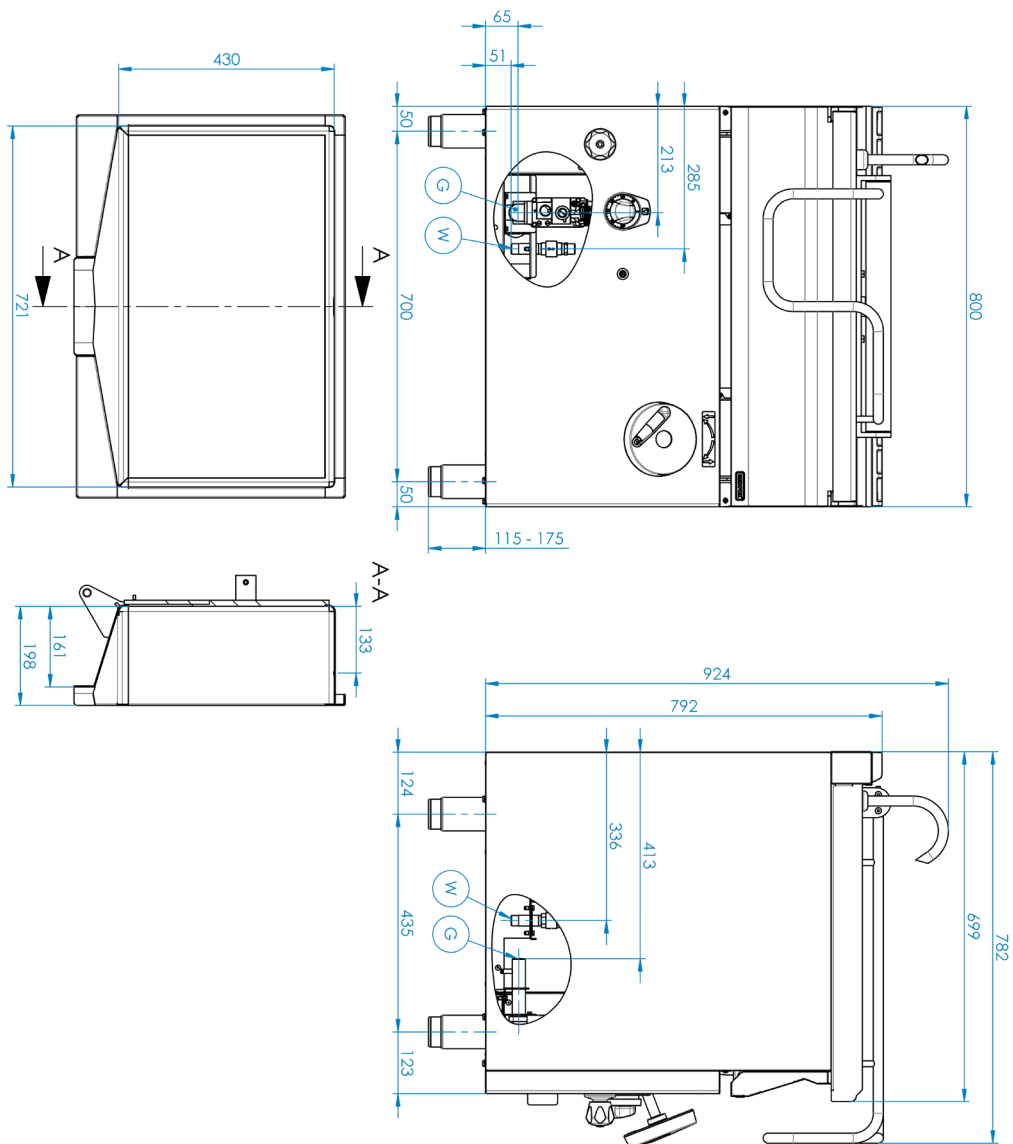
Technical drawing

Tilting bratt pan manual gas 50 l stainless steel bottom

Model

SAP Code

00110049



Technical data sheet



Product benefits

Tilting bratt pan manual gas 50 l stainless steel bottom

Model

SAP Code

00110049

1

Safety element – thermocouple

safe service for staff
there is no unnecessary gas leakage
long life

- savings on service interventions
- easier and faster operation

2

Manual folding system

maintenance-free system
resistance to splash water
long life

- savings on service interventions
- easy cleaning and maintenance of equipment

3

Degree of protection of the control elements IPX4

maintenance-free system
resistance to splash water
long life

- savings on service interventions
- easy cleaning and maintenance of equipment

4

Efficient distribution of heating elements

perfect heat distribution including corners
fast heating

- saving time when cooking
- saving energy
- long service life

5

Stainless steel bottom

the material does not cut
wear resistance of the material
long life

- savings on service interventions
- easy cleaning and maintenance of equipment

Technical data sheet



Technical parameters

Tilting bratt pan manual gas 50 l stainless steel bottom

Model

SAP Code

00110049

1. SAP Code:

00110049

2. Net Width [mm]:

800

3. Net Depth [mm]:

700

4. Net Height [mm]:

900

5. Net Weight [kg]:

139.10

6. Gross Width [mm]:

860

7. Gross depth [mm]:

820

8. Gross Height [mm]:

1079

9. Gross Weight [kg]:

152.50

10. Device type:

Gas unit

11. Power gas [kW]:

12.000

12. Ignition:

Piezo

13. Type of gas:

Natural gas, propane butane

14. Protection of controls:

IPX4

15. Material:

AISI 304 top plate, AISI 430 cladding

16. Maximum device temperature [°C]:

300

17. Minimum device temperature [°C]:

50

18. Safety thermostat:

Yes

19. Safety thermostat up to x ° C:

360

20. Adjustable feet:

Yes

21. Tilting:

Manual

22. Bottom thickness:

12.00

23. Bottom material:

Stainless steel - suitable for cooking, easy maintenance

24. Type of pan:

Tilting

25. Usable volume [l]:

50

26. Filling:

Mechanical cock

27. Basin shape:

Practically shaped bathtub spout to minimize spillage

28. Water filling type:

Cold